

## Sink S1000

Kitchen Sinks

Code: 1129 000



### DETAILS

Edge/Installation Type      Standard (8 mm Edge)

---

Finish      Foster brushed

---

Material      AISI 304 stainless steel

---

Texture      Foster brushed

---

Base      30 cm

---

Dimensions      290x500 mm

---

Standard fittings      Fixing hooks, gasket, drain, overflow and siphon, boxed packing

---

Mixer holes      1 standard hole

---

Built-in hole      270x480 mm

---

Drainer No

---

Width 29 cm

---

Bowl dimension 240x340mm

---

Number of bowls 1 bowl

---

Waste fitting 2" Drain

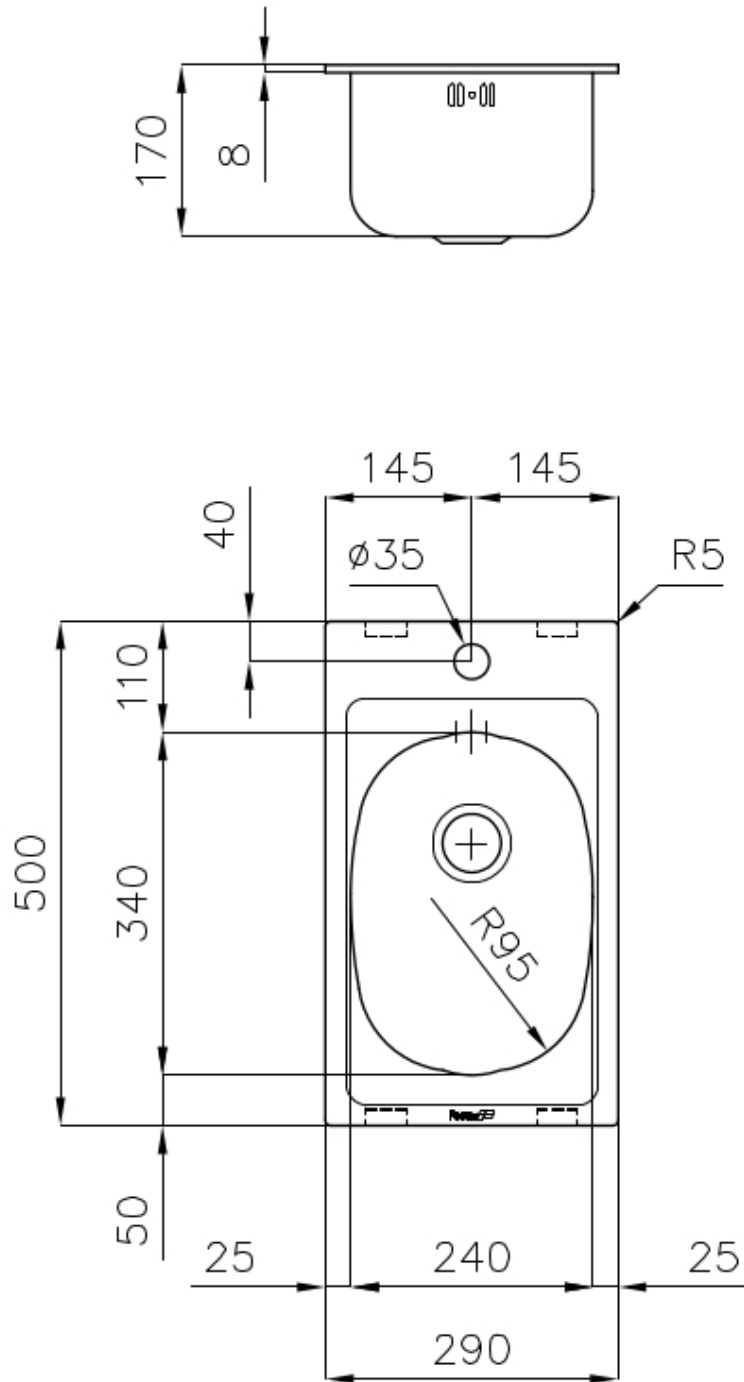
---

## FEATURES

Added value Foster uses steel thicknesses higher than those used on average by other manufacturers. This is how, thanks to our long experience, we know how to make sinks of superior quality and with a better resistance to aging.

---

## TECHNICAL DATA



## RECOMMENDED PAIRINGS



**Mixer Tap Lorenzo**  
8466 000



**Mixer Tap S1000 - RO**  
8443 002